

CS1

Analog Telephone Adapter



Key Features

- Single port analog to IP gateway
- Simple to install, configure, and use
- SIP V2 (RFC 3261)
- Caller ID display and generation
- Call forwarding
- Blind call transfer
- Attended call transfer
- Call waiting
- Call holding
- Emergency call routing over PSTN
- Auto provisioning – automatic upgrades and maintenance
- Configure using a browser or with DTMF tones
- Classified user management
- Support for custom calling codes
- Phone books

Overview

The CS1 is an Analog Telephone Adapter that allows customers to connect one analog phone to SIP devices, while keeping the traditional phone line as a backup. It is perfect for home users or small business owners who want to take advantage of the low rates offered by ITSPs (internet telephony service providers). It is also perfect for connecting home workers to the main office when it is not desirable to use an IP phone.

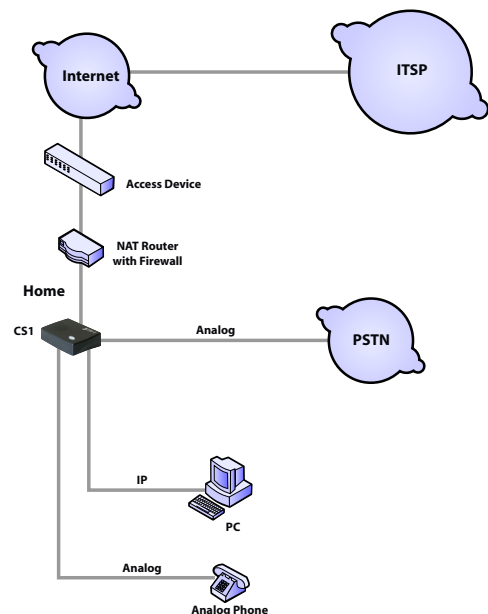
Auto Provisioning

This feature allows an ITSP to deploy its VoIP solution to its customers seamlessly. The CS1 can be programmed to contact the auto provisioning server. Once the customers receive the CS1s, they plug them into their network and the CS1s retrieve the configurations they need from the auto provisioning server. Upgrades and maintenance can also be done seamlessly through the auto provisioning server.

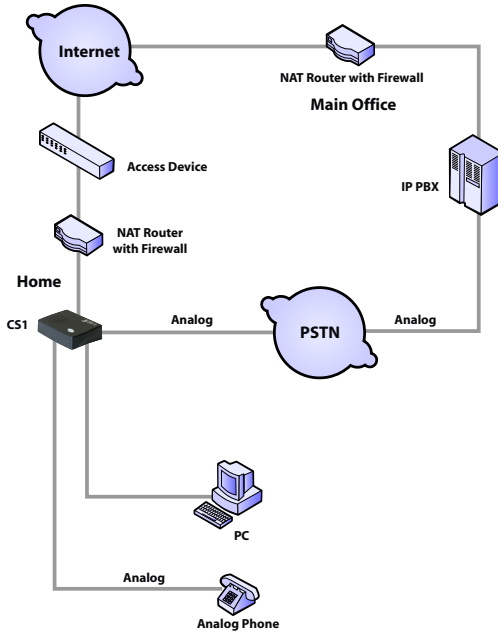
Custom Calling Codes

These codes (SPREE codes) enable you to use your analog phone to utilize advanced features such as call forwarding, blind call transfer, and attended call transfer, which would otherwise be unavailable to analog phone users.

Home to ITSP



Home to Main office



Specification

VoIP

- DTMF: In-band, SIP Info, RFC2833
- Audio Codec: G.711 A-law or μ -3aw, GSM, G.723.1, G.729A

Voice Quality Enhancement

- Echo canceller, G.168 compliant, up to 64ms
- VAD
- CNG
- Packet loss concealment
- Dynamic jitter buffer
- Gain adjustment

Interface

- One WAN port: static IP, DHCP, PPPoE
- One LAN port: NAT, bridge
- One FXS interface (RJ11)
- One PSTN bypass interface (RJ11)

Physical and Environmental

Operating temperature: 10°C to 40°C (50°F to 104°F)

Operating humidity: 10% to 90%, Non-condensing

Storage temperature: 0°C to 50°C (32°F to 122°F)

Storage humidity: 5% to 95%, Non-condensing

Weight: 0.4 kg (0.8 lb)

Size: 140 mm (W) x 90 mm (L) x 32 mm (H) (5.5" x 3.6" x 1.2")

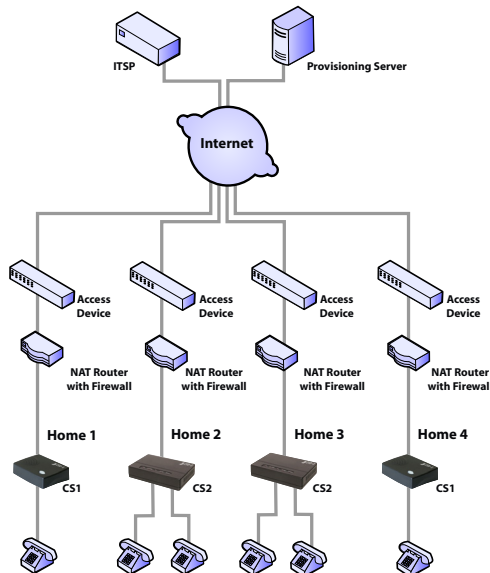
Safety: FCC Part 68

Emissions: FCC part 15A, ANSI C63.4, EN55022 class B, EN61000-3

Immunity: EN55024

Warranty: one year

ITSP deployment



Zed-3

501 Valley Way

Milpitas, CA 95035

USA

Tel: +1-408-587-9333

Fax: +1-408-586-9038

Email: zed-3@zed-3.com

Web: www.zed-3.com